


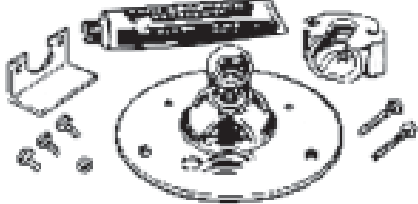


Dryer Parts

General Electric

<p>WE11X10004 DE838</p>	<p>WE12X81 DE401</p>	<p>WE12X83 DE412</p>	<p>WE12X95 DE411</p>
			
<p>Dryer Element 5400 Watts 240 Volts</p>	<p>Idler Pulley Reference: WE12X47 WE12X33</p>	<p>Idler Pulley Reference: WE12X80 WE12X92 & WE12M8</p>	<p>Reference: WE12X10009</p>

General Electric

<p>WE13X68K DE729</p>	<p>WE13X93 DE730</p>	<p>WE13X10011 DE724</p>	
			
<p>Glide Kit to rebuild WE25X60 (2 needed)</p>	<p>Heavy Duty Bracket & Glide Assembly (2 Needed)</p>	<p>Drum Bearing Kit Reference: WE25X10001</p>	

General Electric



<p>WE18X26 DE520</p>	<p>WE25X60 DE731</p>	<p>WE25X62K DE725K</p>	<p>WE25X205 DE725</p>
			
<p>Lint Screen White Plastic Frame</p>	<p>Bracket & Glide Kit 2 brackets included</p>	<p>Rebuild Kit for WE25X205 & WE25X60</p>	<p>Drum Shaft and Bearing Kit</p>

Part numbers and illustrations are intended solely for identification. Items offered for sale are not represented to be manufactured by the company that built the original model.

Dryer Parts

Maytag

Dryer Thermostats

OEM No.	Supco No.	Style	Temp. °F	Diff. °F	Term		OEM No.	Supco No.	Style	Temp. °F	Diff. °F	Term
489P3	L255	L	255	40	2		62641	FL225	FL	225	40	2
492P3	L255	L	255	40	2		63589	L205	L	205	40	2
50850	L200	L	200	40	2		300608	SET111	L	150	20	2
50851	L225	L	225	40	2		300858	SET103	FLD	205	40	3
50880	SET109	L	135	15	2	300859	SET109	L	135	15	2	
51036	L150	L	150	20	2	301007	SET163	L	155	20	2	
51185	SET102	FL	325	50	2	301451	SET175	FL	220	40	2	
51186	FL200	FL	200	40	2	301552	SET106	L	145	10	2	
51386	LD130	LD	130	15	3	301634	SET121	LD	145	20	3	
51387	LD155	LD	155	20	3	301636	SET108	SHF	130	15	2	
51879	LD120	LD	120	15	3	301724	L180-40	L	180	40	2	
51880	LD120	LD	120	15	3	301933	FL150	FL	150	40	2	
51897	SET110	L	120	10	2	301948	L200	L	200	40	2	
51986	LD120	LD	120	15	3	301952	SET109	L	135	15	2	
51987	LD120	LD	120	15	3	301978	SHF160	SHF	160	20	2	
52393	SET121	LD	145	20	3	301979	LD170	LD	170	20	3	
52394	SET109	L	135	15	2	302838	SET109	L	135	15	2	
53752	L125	L	125	10	2	302850	SET145	FL	150	40	2	
54736	LD120	LD	120	15	3	303030	LD130	LD	130	15	3	
54737	LD135	LD	135	15	3	303035	SET163	L	155	20	2	
55099	L130	L	130	15	2	303036	SET145	FL	150	40	2	
55523	FL320	FL	320	50	2	303037	SHF130	SHF	130	15	2	
55741	SET195	L	120	10	2	303225	LD135	LD	135	15	3	
55742	SET133	F	300	50	2	303391	SET163	L	155	20	2	
56081	SET195	L	120	10	2	303392	SET105	L	140	10	2	
56082	SET133	FL	300	50	2	303394	SET108	SHF	130	15	2	
56115	SET195	L	120	10	2	303395	SET175	FL	220	40	2	
56116	LD140	LD	140	20	3	303396	SET104	FL	205	40	2	
56221	L255	L	255	40	2	303618	SET121	LD	145	20	3	
56410	LD140	LD	140	20	3	303773	SET105	L	140	10	2	
56440	SET105	L	140	10	2	303797	SET117	LD	155	20	3	
56470	L150	L	150	20	2	304474	SET117	LD	155	20	3	
56471	L120	L	120	10	2	304475	SET105	L	140	10	2	
56856	L155	L	155	20	2	305169	SET174	FL	240	40	2	
57015	L155	L	155	20	2	305864	SET106	L	145	10	2	
57239	LD120	LD	120	15	3	305865	SET145	FL	150	40	2	
58366	L255	L	255	40	2	305953	LD130	LD	130	15	3	
60191	L225	L	225	40	2	306060	SET111	L	150	20	2	
61210	FL225	FL	225	40	2	306608	SET111	L	150	20	2	
61372	FLD135	FLD	135	15	3	306910	L15515W	LW	155	15	4	
61401	L130	L	130	15	2	306911	L15515W	LW	155	15	4	
61556	L225	L	225	40	2	306965	SET175	FL	220	40	2	
61625	L15515W	LW	155	15	4	306966	FL200	FL	200	40	2	
61886	SLF255VA	SLF	250	50	2	306967	L15515W	LW	155	15	4	
62148	SET109	L	135	15	2	307249	L15515W	LW	155	15	4	
62600	FL350	FL	320	50	2	307250	LD15525W	LDW	155	25	5	




Style SLF

Part numbers and illustrations are intended solely for identification. Items offered for sale are not represented to be manufactured by the company that built the original model.

Dryer Parts

Maytag

Dryer Thermostats

OEM No.	Supco No.	Style	Temp. °F	Diff. °F	Term		OEM No.	Supco No.	Style	Temp. °F	Diff. °F	Term
308036	LD14520W	LDW	145	20	5		60-7421	SET110	L	120	10	2
329314	LD135	LD	135	15	3		60-7424	SET103	FLD	205	40	3
400011	L225	L	225	40	2		60-7506	SET140	SLS	200	40	2
400198	L180-40	L	180	40	2		60-7879	L150	L	150	20	2
400199	SET111	L	150	20	2		60-7880	L250	L	250	40	4
400209	L225	L	225	40	2	60-9204	SET109	L	135	15	2	
400296	SET109	L	135	15	2	60-9210	SET110	L	120	10	2	
431177	L340	L	340	40	2	60-9211	SET109	L	135	15	2	
53-0171	SET106	L	145	10	2	60-9587	SET103	FLD	205	40	3	
53-0262	SET195	L	120	10	2	63-1375	SET137	L	130	15	2	
53-0263	SET106	L	145	10	2	63-1458	SET106	L	145	10	2	
53-0306	SET115	L	240	40	2	63-1551	SET121	LD	145	20	3	
53-0700	SET106	L	145	10	2	63-1552	L130	L	130	15	2	
53-0771	SET176	L	248	80	2	63-2825	SET133	F	300	50	2	
53-1037	SET176	L	248	80	2	63-3301	L130	L	130	15	2	
53-1095	SET106	L	145	10	2	63-3988	L255	L	255	40	2	
53-1096	SET404	SLF	240	40	2	63-3989	L255	L	255	40	2	
53-1107	SET196	L	146	25	2	63-4574	L155	L	155	20	2	
53-1182	SET403	SLS	240	40	2	63-5254	L340	L	340	40	2	
53-1459	SET176	L	248	80	2	63-5256	L340	L	340	40	2	
53-1459	SET176	L	248	80	2	63-5532	SET105	L	140	10	2	
53-2754	L14520W	LW	145	20	4	63-5533	L155	L	155	20	2	
60-2385	L200	L	200	40	2	63-6187	L340	L	340	40	2	
60-2386	L180-40	L	180	40	2	63-6305	SET105	L	140	10	2	
60-2390	L125	L	125	10	2	63-6306	SET163	L	155	20	2	
60-2713	L200	L	200	40	2	70-2548	SET176	L	248	80	2	
60-4324	SET105	L	140	10	2	73-0062	SET109	L	135	15	2	
60-4326	SET109	L	135	15	2	73-0063	SET109	L	135	15	2	
60-4327	L200	L	200	40	2	73-0065	SET109	L	135	15	2	
60-4941	L180-40	L	180	40	2	73-0155	SET109	L	135	15	2	
60-5182	L200	L	200	40	2	LA-1035	SET195	L	120	10	2+	
60-7180	SET109	L	135	15	2	31001088	L14520W	LW	145	20	4	
60-7420	LD130	LD	130	15	3	31001192	L14520W	LW	145	20	4	



Style FLD



Style L



Style LD



Style LW



Style SLF



Style SLS

Maytag

490P3 Kit SET200



Fuse and High Limit Kit
R9900489 kit is used with 61927
For High Limit only order 62641 (FL225)
For Thermal fuse only order 40113801 (SET182)

LA1053 SET405



Fuse and High Limit Kit for Gas & Electric
For High Limit only order 53-0771 (SET176)
For Thermal Fuse only order 53-1182 (SET403)
For Gas High Limit only order 53-1096 (SET404)

Dryer Parts

Maytag

**306604
SET408**



**Disc Style Thermal Fuse
Rated 84°C 183°F**

**307473
SET409**



**Disc Style Thermal Fuse
Rated 117°C 243°F**

**33001762
SET407**



**Oblong Style Thermal Fuse
Rated 84°C 183°F**

“M” Series Gas Valves

White Rodgers Direct Replacement Gas Valve Kit

**White
Rodgers**

Designed by White Rodgers to replace the “M” series clothes dryer valves. Each kit is a direct replacement valve with 8 orifices (6 Natural Gas & 2 LP), 2 bushings, and 2 nuts.



**25M01A-101
Right Angle Left Outlet**

OEM No.	Supco No.	Orifice Size
58804	25M01A-100	*#44 (.086)
60353	25M01A-100	*#40 (.098)
60667	25M01A-100	#40 (.098)
62959	25M01A-100	#44 (.086)
306084	25M01A-100	#45 (.082)
306176	25M01A-101	#43 (.089)
308345	25M01A-101	#41 (.096)
308541	25M01A-101	#41 (.096)
308542	25M01A-101	Kit
53-2908	25M01A-101	#56 (.0465)
53-3288	25M01A-101	#46 (.081)
63-6786	25M01A-101	*#46 (.081)



**25M01A-100
Right Angle Right Outlet**

*Note: Match orifice to original or use old orifice. Older or Special applications may require use of old orifice holder, mounting hardware, and pipe nipple.

Need a replacement coil kit for the “M” series valve?

Both Coils in a Kit

Booster / Holding Coil (3 terminals)

Secondary Coil (2 terminals)

OEM No.	Supco No.	OEM No.	Supco No.	OEM No.	Supco No.
12001349	DE382WR	306106	DE382AW	306105	DE382BWR
66-6615	DE382WR	58804A	DE382AWR	58804B	DE382BWR



DE382WR



DE382AWR



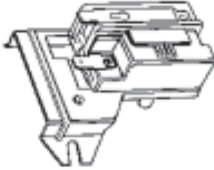
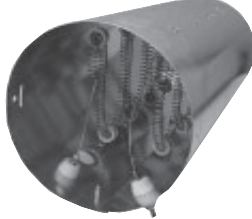


DE382BWR

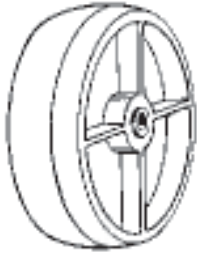


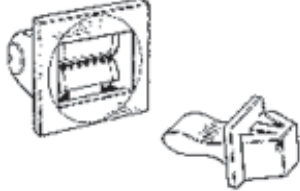
This genuine White Rodgers valve kit is designed to replace all right angle left outlet 25M series valves.

Dryer Parts

Maytag

<p>303318 ES16200</p>	<p>303376 SDE350</p>	<p>303377 DE353</p>	<p>303404 DE138</p>
			
<p>Door Switch Ref: 302288, 63-5541</p>	<p>Round Igniter</p>	<p>Flame Sensor Reference: 63-5013</p>	<p>13-32 Terminal Studs 5000 Watts 240 Volts</p>

Maytag

<p>303705 DE405</p>	<p>303836 DE602</p>	<p>304970 DE364</p>	<p>306436 DE902</p>
			
<p>Idler Pulley 3 1/4" Diameter</p>	<p>Blower wheel Reference: 312913</p>	<p>Flat "M" Style Igniter</p>	<p>Plastic Latch & Catch Door Kit</p>

Maytag


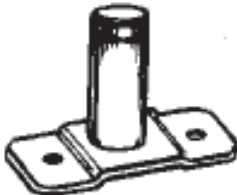


<p>306508 DE747</p>	<p>311534 DE739</p>	<p>311946 DE326</p>	<p>312948 DE687</p>
			
<p>Drum Glide Kit</p>	<p>Felt Drum Seal</p>	<p>1 Coil Restraining Kit 4400 Watt 240 Volts 2" Tail</p>	<p>Drum Roller Shaft Used with DE693</p>

Part numbers and illustrations are intended solely for identification. Items offered for sale are not represented to be manufactured by the company that built the original model.

Dryer Parts

Exact Replacement Dryer Parts

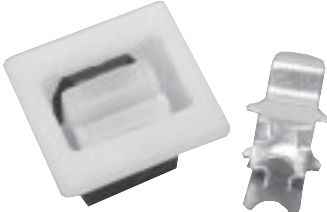
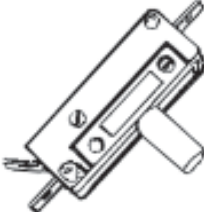
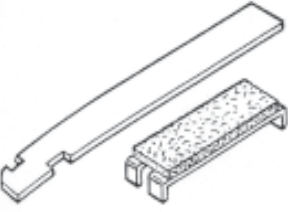

Maytag

<p>313538 DE327</p>	<p>53-0197 DE689</p>	<p>53-0665 DE700</p>	<p>53-0701 DE531</p>
			
<p>1 Coil Restring Kit 5000 Watt 240 Volts 2" Tail</p>	<p>Single Support Shaft Used with 53-1578 See LA1008 for Assembly</p>	<p>Single Drum Roller Used with 53-0198 See LA1007 for Assembly</p>	<p>Lint Screen 3/8" Left & Right Side Glides</p>

Maytag

<p>53-0918 DE530</p>	<p>63-1170K DE782</p>	<p>63-1195C DE247</p>	<p>63-3805K DE780</p>
			
<p>Lint Screen 3/8" Left Glide 5/8" Right Glide</p>	<p>Drum Glide Kit Includes: Pad & Glide Used 1969 to 1971</p>	<p>1 Coil Restring Kit 5000 Watt 240 Volts 10-32 Terminals</p>	<p>Drum Glide Kit Includes: Pad & Glide Used 1971 to 1981 Ref: 63-6301, 63-5719</p>





Maytag

<p>LA-1003 DE902M</p>	<p>LA-1005 ES16600</p>	<p>LA-1006 DE777</p>	<p>LA-1007 DE690</p>
			
<p>Metal Latch & Plastic Catch Door Kit</p>	<p>Door switch Use Old Clip Herrin Dryers</p>	<p>Drum Glide Kit Includes: Pad & Glide Reference: 53-0310N</p>	<p>Left Front Drum Roller Kit Reference: 53-0311N</p>


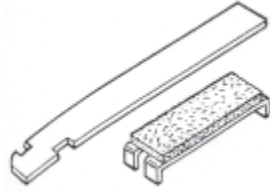
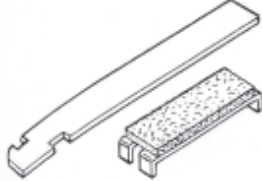

Part numbers and illustrations are intended solely for identification. Items offered for sale are not represented to be manufactured by the company that built the original model.

Dryer Parts

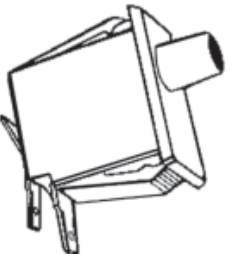



Maytag

<p>LA-1008 DE696</p>	<p>LA-1044 DE148</p>	<p>12001541 DE693</p>	<p>31001043 DE343</p>
			
<p>Drum Support Kit Reference: 53-0312N</p>	<p>Dryer Element 4750 Watts 240 Volts 1/4" Q.C. Terminals</p>	<p>Drum Roller Kit Roller & 2 washers Used with 312948 Reference: 303373</p>	<p>Blower Wheel 5/16" Shallow Shaft</p>

Maytag

<p>31001096 DE692</p>	<p>31001469 DE786</p>	<p>31001470 DE785</p>	<p>33001167 DE532</p>
			
<p>Drum Roller Used in LA-1008</p>	<p>Left Side Glide Kit 6 7/8" X 5/8" Reference: 53-2272</p>	<p>Right Side Glide Kit 5 3/4" X 5/8" Reference: 53-2273</p>	<p>Lint Screen Not Symmetrical with magnet</p>

Maytag

<p>33001506 ES16806</p>	<p>33001808 DE534</p>	<p>33002970 DE533</p>	<p>33001003 DE529</p>
			
<p>Door Switch 3 Terminals</p>	<p>Lint Screen Newer Models</p>	<p>Lint Screen Not Symmetrical Reference: 33001171</p>	<p>Lint Screen Symmetrical Reference: 53-2045</p>

Part numbers and illustrations are intended solely for identification. Items offered for sale are not represented to be manufactured by the company that built the original model.

Dryer Parts

Whirlpool Dryer Thermostats

OEM No.	Supco No.	Style	Temp.°F	Diff.°F	Term
279044	SET117	LD	155	20	3
279046	SET117	LD	155	20	3
279048	SET103	FLD	205	40	3
279050	SET118	LD	240	45	3
279052	SET144	LD	255	40	3
279054	SET149	LD	290	40	3
279080	SET119	LD	225	40	3
339908	SET119	LD	225	40	3
341371	SET123	LD	130	15	3
344395	SET153	LD	135	15	3
689935	SET122	LD	200	40	3
694674	SET177	L	Adjustable		2
696818	SET113	L	205	40	2
3387134	L15525W	Multi	155	25	3
3387138	L15510W	Multi	155	10	3
3390291	SET198	L	250	60	2
3391381	SET201	L	Adjustable		2
3398128	L14520W	Multi	145	20	3
3149653	SET175	FL	220	40	2
3403140	SET104	FL	205	40	2



Style FL



Style L



Style FLD



Style LD



Style Multi

Specialty Thermostats & Fuses

**279769
SET184**

**Thermostat Kit
with 352°F Fuse**



SET184 & SET194

279816

**SET194
Thermostat Kit
with 325°F Fuse**

196° F Thermal Fuses



**330719
SET402**



**3392519
SET401**



**3399849
SET410**

**3977767
SET185**

**Thermostat only
L250-80**



SET197

**(3977767 w/ 325°F Fuse)
Thermostat Kit**

“M” Series Gas Valves

White Rodgers Direct Replacement Gas Valve Kit

Designed by White Rodgers to replace the “M” series clothes dryer valves. Kit shown is a right angle left outlet valve (RAL). Kit is a direct replacement valve with 8 orifices (6 Natural Gas & 2 LP), 2 bushings, and 2 nuts. Valve is a direct replacement, correct orifice included. Used since 1984.



Replacement Valves	
OEM No.	Supco No.
279888	25M01A-101
279923	25M01A-100

**White
Rodgers**



Need a replacement coil kit for the “M” series valve?

Both Coils in a kit

For Whirlpool 279834 order the direct replacement coil

Booster / Holding Coil (3 terminal)

For Whirlpool 695398 order the direct replacement coil

Secondary Coil (2 Terminal)

For Whirlpool 695397 order the direct replacement coil

Note: Match orifice to original or use old orifice. Special applications may require use of old orifice holder. Example: The 80281911 uses a 2.4 mm orifice.

This genuine White Rodgers valve kit is designed to replace all right angle left outlet 25M series valves.

Dryer Parts

Whirlpool

230131
DE901



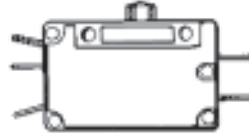
Dryer Door Cable

239087
DE737



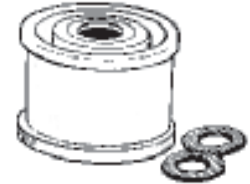
Rear Drum Felt Seal
26" Dia. 82" Long

239453
ES16400



5 Wire Motor Switch
Replaces: 230652
1/4" Q.C. Terminals

239477
DE418



Idler Roller for
Old Style Idler

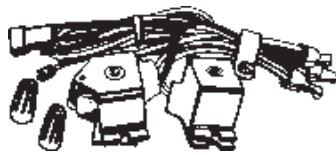
Whirlpool

239173
LP173



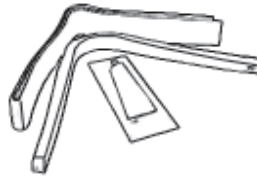
Push-to-start Switch Kit
1/4" Q.C. Terminals

279137
DE381



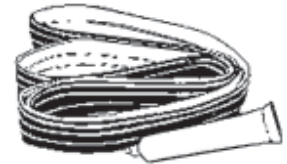
"K" Series
Split Coil Kit
Used prior to 1984

279264
DE735



Front Bearing
Support Kit
Used with 3394508
and 3394509

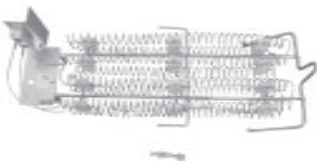
279408
DE768



Rear Drum Felt Seal
25" Dia. 79" Long

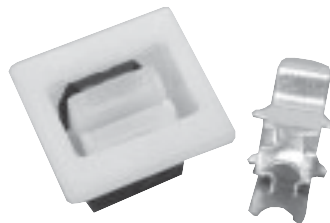
Whirlpool

279455
DE180



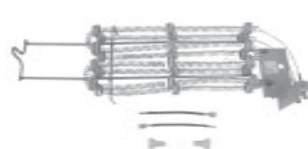
Dryer Element
5200 Watts 240 Volts
5/16" Push-on

279570
DE902M



Latch & Catch Kit
Metal Latch
Plastic Catch

279598
DE195



Dryer Element
5200 Watts 240 Volts
5/16" Push-on

279782
LP210



Door Switch Kit
Order LP985 (691581)
for lever only

Part numbers and illustrations are intended solely for identification. Items offered for sale are not represented to be manufactured by the company that built the original model.

Dryer Parts

Whirlpool

279787
SM279787

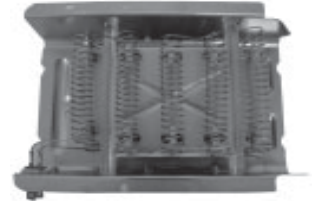


Replaces

3387185 3391891
3388237 3391893
3388238 3395654
3391890 3395656

Drive Shaft 1 5/8"
Blower Shaft 1 1/4"

279838
DE838



Used on front blower models prior to 1995
If you have a 1995 or 1996 model check shaft dimensions.

Dryer Element
Reference: 53-0312N

Whirlpool

279827
SM279827

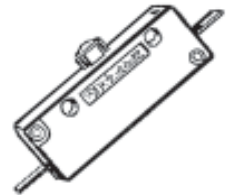


Replaces

299992
695925
& 39 SKU's

Drive Shaft 1 3/4"
Blower Shaft 1 3/4"

303919
ES16100



Used on front blower models prior to 1995
If you have a 1995 or 1996 model check shaft dimensions.

Door Switch
3 Wire Long Stem

Whirlpool

338906
DE353



Infrared
Flame Sensor

339392
DE522



Lint Screen
Brown
18 1/4" X 7 1/8"
Replaces: 690634

339489
DE686



Right Side
Drum Roller Shaft
Used with 349241



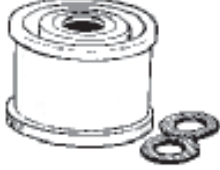
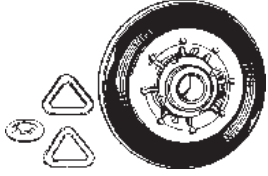



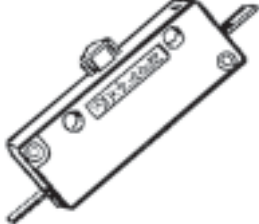
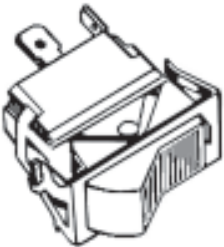


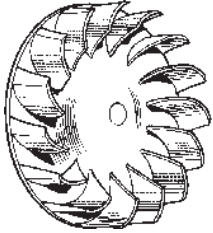
339491
DE904



Tri-Ring
for Drum Roller Shaft
Used with 349241

Part numbers and illustrations are intended solely for identification. Items offered for sale are not represented to be manufactured by the company that built the original model.

Dryer Parts

Whirlpool			
<p>339489 DE686</p>  <p>Right Side Drum Roller Shaft Used with 349241</p>	<p>342601 DE905</p>  <p>Metal Panel Clip 2 (per pack)</p>	<p>347226 DE418</p>  <p>Idler Pulley for Old Style 688166</p>	<p>349241 DE702</p>  <p>Drum Roller Used with 339489 Right or 3399506 Left Shaft</p>
Whirlpool			
<p>349241T DE702T</p>  <p>Same as 349241 except 2 Roller Set</p>	<p>349639 DE525</p>  <p>Lint Screen Brown 20 3/4" X 7 1/2"</p>	<p>355519 LP218</p>  <p>Chrome Timer Knob 1/4 - 20 threads Replaces White 355643</p>	<p>674819 ES16100</p>  <p>Door Switch 1/4" Push-on</p>
Whirlpool			
<p>686605 ES15907</p>  <p>Air - Heat Rocker Switch 1/4" Push-on</p>	<p>691366 DE411</p>  <p>Idler Arm Assembly Heavy Duty Style Reference: 688166</p>	<p>691581 LP985</p>  <p>LP985D for 12 pack Lever for Door Switch for complete Assembly Order LP210</p>	<p>694089 DE601</p>  <p>Blower Wheel Mounts on Motor Used in Models with Top Lint Screen Rep: 279711 & 695499</p>

Part numbers and illustrations are intended solely for identification. Items offered for sale are not represented to be manufactured by the company that built the original model.

Dryer Parts

Whirlpool			
<p>3387477 DE7477</p>  <p>Dryer Element 5/16" Terminals 5400 Watts 240 Volts New Style for Front Blower Models</p>	<p>3399506 DE685</p>  <p>Left Side Drum Roller Shaft Used with 349241</p>	<p>4391960 DE698</p>  <p>Dryer Element 5/16" Terminals 5200 Watts 240 Volts Includes 279457 adapter wires</p>	
Whirlpool			
<p>4391996 SDE364</p>  <p>Universal Flat Igniter "M" style with connector , wire nut kit included</p>	<p>4392003 SDE350</p>  <p>Universal Round Igniter Old "Wing" Style</p>		
Whirlpool			
<p>4392065 DE702K</p>  <p>Dryer Rebuild Kit Belt, Idler, & Drum Rollers</p>	<p>8536974 DE702HD</p>  <p>Heavy Duty Drum Roller Replaces front or rear on front blower models</p>	<p>8557882 DE526</p>  <p>Lint Screen White 22 1/4" X 7 1/8"</p>	<p>8667884 DE524</p>  <p>Lint Screen White 20 3/4" X 7 1/8" Replaces: 348855</p>

Part numbers and illustrations are intended solely for identification. Items offered for sale are not represented to be manufactured by the company that built the original model.

Universal Thermostats



Rollout Switches

Features/Benefits

- Auto and Manual Reset
- Offered in a broad temperature range to cover most heating applications
- Use 36T Electrical Ratings

Applications

- Automatic or Manual Rollout safety in gas fired furnaces, unit heater and roof top units.

THERMODISC



Small Flush Mount SPST Limit Thermostats

(Flush Mount Automatic Rollout)

Supco No.	Terminals	Cut Out	Cut In	Differential
SLF130-VA	Vertical 1/4"	130	115	15
SLF155-VA	Vertical 1/4"	155	115	40
SLF158-VB	Vertical 3/16"	158	118	40
SLF165-VA	Vertical 1/4"	165	125	40
SLF170-VA	Vertical 1/4"	170	130	40
SLF185-VB	Vertical 3/16"	185	145	40
SLF190-HA	Horizontal 1/4"	190	150	40
SLF194-HB	Horizontal 3/16"	194	154	40
SLF194-VB	Vertical 3/16"	194	154	40
SLF200-HA	Horizontal 1/4"	200	160	40
SLF200-VA	Vertical 1/4"	200	160	40
SLF210-HA	Horizontal 1/4"	210	170	40
SLF222-VA	Vertical 1/4"	222	182	40
SLF230-HA	Horizontal 1/4"	230	190	40
SLF230-HB	Horizontal 3/16"	230	190	40
SLF250-HA	Horizontal 1/4"	250	200	50
SLF255-VA	Vertical 1/4"	252	202	50
SLF252-VB	Vertical 3/16"	252	202	50
SLF255-VA	Vertical 1/4"	255	205	50
SLF260-HA	Horizontal 1/4"	260	210	50
SLF275-HB	Horizontal 3/16"	275	225	50
SLF275-VB	Vertical 3/16"	275	225	50
SLF280-HB	Horizontal 3/16"	280	230	50
SLF300-HB	Horizontal 3/16"	300	250	50
SLF300-VA	Vertical 1/4"	300	250	50
SLF330-VA	Vertical 1/4"	330	280	50



Automatic Rollouts - SPST Limit Thermostats

Special 30mm Center to Center

Supco No.	Terminals	Cut Out	Cut In	Differential
SLSW210	45° angle 1/4" Terminals	210	170	40
SLSW300	45° angle 1/4" Terminals	300	250	50
SLSW300HB	Horizontal 3/16" Terminals	300	250	50
SLSW350	45° angle 1/4" Terminals	350	300	50

Automatic Rollouts - SPST Limit Thermostats

Supco NO.	Terminals	Cut Out	Cut In	Differential
SLS85	45° angle 1/4" Terminals	85	70	15
SLS120	45° angle 1/4" Terminals	120	105	15
SLS130	45° angle 1/4" Terminals	130	115	15
SLS140	45° angle 1/4" Terminals	140	100	40
SLS145	45° angle 1/4" Terminals	145	105	40
SLS150	45° angle 1/4" Terminals	150	110	40
SLS155	45° angle 1/4" Terminals	155	115	40
SLS160	45° angle 1/4" Terminals	160	120	40
SLS165	45° angle 1/4" Terminals	165	125	40
SLS170	45° angle 1/4" Terminals	170	130	40
SLS175	45° angle 1/4" Terminals	175	135	40
SLS180	45° angle 1/4" Terminals	180	140	40
SLS200	45° angle 1/4" Terminals	200	160	40
SLS250	45° angle 1/4" Terminals	250	200	50
SLS255	45° angle 1/4" Terminals	255	205	50
SLS265	45° angle 1/4" Terminals	265	215	50
SLS275	45° angle 1/4" Terminals	275	225	50
SLS285	45° angle 1/4" Terminals	285	235	50
SLS295	45° angle 1/4" Terminals	295	245	50
SLS300	45° angle 1/4" Terminals	300	250	50
SLS300HB	Horizontal 3/16" Terminals	300	250	50
SLS350	45° angle 1/4" Terminals	350	300	50

Manual Rollouts - Flush Mount

SPST Limit Thermostats

Supco No.	Terminals	Cut Out	Cut In
SRLF275VA	Vertical 1/4"	275	Manual
SRLF320VA	Vertical 1/4"	320	Manual

Manual Rollouts - SPST Limit Thermostats

Supco No.	Terminals	Cut Out	Cut In
SRL130	Vertical 1/4"	130	Manual
SRL135	Vertical 1/4"	135	Manual
SRL220	Vertical 1/4"	220	Manual
SRL230	Vertical 1/4"	230	Manual
SRL240	Vertical 1/4"	240	Manual
SRL250	Vertical 1/4"	250	Manual
SRL260	Vertical 1/4"	260	Manual
SRL300	Vertical 1/4"	300	Manual

New! HVAC Flush Mount Adjustable Airsteam Themostats



Supco No.	5/16" Airstream Insert	Adjustable Range	Differential	Brand	OEM No.
HF757	Fan - Open on Rise	70 180	30	White Rodgers	757-1
HL758	Limit - Close on Rise	110 200	30	White Rodgers Carrier	758-1 HH680316

Universal Thermostats



HVAC Flush Mount Staging Thermostat

Supco No.	Description	Cut Out	Cut In	Differential
FL50	HVAC Staging Thermostat	50	35	15
FL60	HVAC Staging Thermostat	60	45	15



Standard Mount

Adjustable AT & Flat Series

- Series covers almost 95% of heater and dryer applications
- Dial knob
- 40° adjustable range
- 1/4" quick connect terminals
- Use 60T Electrical Ratings



Flush Mount

THERMODISC

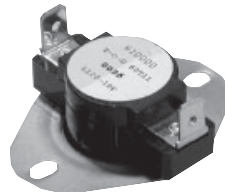


Adjustable Thermostats (Open on Rise)

Supco No.		Adjustable Range		Differential
Standard Mount	Flush Mount			
AT012	FLAT012	135	175	20
AT013	FLAT013	175	215	40
AT014	FLAT014	210	250	40
AT015	FLAT015	250	290	40

Adjustable Airflow Thermostats (Close on Rise)

Supco No.		Adjustable Range		Differential
Standard Mount	Flush Mount			
AT021	FLAT021	90	130	20
AT022	FLAT022	140	180	20



Fan Control* - Close on Rise

Supco No.	Description	Cut In	Cut Out	Differential
SHF90	Fan	90	80	10
SHF110	Fan	110	90	20
SHF110DC	Fan - Deep Cup	110	90	20
SHF120	Fan	120	110	10
SHF130	Fan	130	115	15
SHF140	Fan	140	120	20
SHF150	Fan	150	130	20
SHF160	Fan	160	140	20
SHF170	Fan	170	150	20
SHF180	Fan	180	150	30
SHF200	Fan	200	180	20
SHF250	Fan	250	220	30

*Adapter Flange Plate included with each thermostat.

*Use 60T Electrical Ratings

Limit Control* - Open on Rise

Supco No.	Description	Cut Out	Cut In	Differential
SHL120	Limit - Open on Rise	120	110	10
SHL140	Limit - Open on Rise	140	100	40
SHL150	Limit - Open on Rise	150	110	40
SHL160	Limit - Open on Rise	160	120	40
SHL170	Limit - Open on Rise	170	130	40
SHL180	Limit - Open on Rise	180	140	40
SHL190	Limit - Open on Rise	190	150	40
SHL200	Limit - Open on Rise	200	160	40
SHL210	Limit - Open on Rise	210	170	40
SHL230	Limit - Open on Rise	230	190	40
SHL250	Limit - Open on Rise	250	210	40
SHL300	Limit - Open on Rise	300	250	50
SHL325	Limit - Open on Rise	325	275	50

*Adapter Flange Plate included with each thermostat.

*Use 60T Electrical Ratings



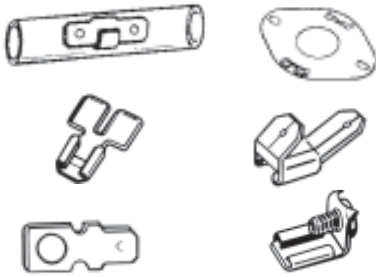
Deep Cup Limit Thermostat

Supco No.	Range		Diff°F
	Open°F	Close°F	
L135DC	135	120	15
L145DC	145	125	20
L210DC	210	170	40

*Use 60T Electrical Ratings

Universal Thermostats

THERMODISC®



Terminal Adapters

Supco No.	Description	Where Used
HA-11	Large Flange / Airstream Adapter	60T to Oversize Flange
T1121	2 to 1 Terminal Adapter	1/4" Q.C. Female to 2 Male 1/4" Q.C. Chair Terminal
T1122	2 to 1 Terminal Adapter	1/4" Q.C. Female to 2 Male 1/4" Q.C. Side by Side Terminal
T1123	Screw to Terminal Adapter	8 - 10 Stud to 1/4" Q.C. Terminal
T1124	Terminal to Screw Adapter	1/4" Q.C. Female to Screw Right Angle Terminal
T1125	2 to 1 Terminal Adapter	1/4" Q.C. Female to 1/4" Q.C. Male Piggyback Terminal

Use 60T Electrical Ratings

Flush Mount SPST Thermostats

Supco No.	Cut Out °F	Cut In °F	Differential °F
FL135	135	120	15
FL15020	150	130	20
FL15040	150	110	40
FL155	155	125	30
FL190	190	180	10
FL200	200	160	40
FL205	205	165	40
FL220	220	180	40
FL225	225	185	40
FL240	240	190	50
FL250	250	200	50
FL260	260	210	50
FL285	295	245	50
FL320	320	270	50
FL350	350	300	50

Use 60T Electrical Ratings

Flush Mount SPDT Thermostats

Supco No.	Cut Out °F	Cut In °F	Differential °F
FLD135	135	120	15
FLD205	205	165	40

Use 60T Electrical Ratings

SPST Multi-Thermostats with Internal Heaters

Supco No.	Cut Out °F	Cut In °F	Differential °F	Thermostat Terminals	Heater Terminals	Total Terminals
L13510W	135	125	10	2 X 1/4"	2 X 3/16"	4
L13515W	135	120	15	2 X 1/4"	2 X 3/16"	4
L14515W	145	130	15	2 X 1/4"	2 X 3/16"	4
L14520W	145	125	20	2 X 1/4"	2 X 3/16"	4
L14625W	146	121	25	2 X 1/4"	2 X 3/16"	4
L15015W	150	135	15	2 X 1/4"	2 X 3/16"	4
L15025W	150	125	25	2 X 1/4"	2 X 3/16"	4
L15515W	155	140	15	2 X 1/4"	2 X 3/16"	4
L15525W	155	130	25	2 X 1/4"	2 X 3/16"	4
L21030W	210	180	30	2 X 1/4"	2 X 3/16"	4

Use 60T Electrical Ratings

SPDT Multi-Thermostats with Internal Heaters

Supco No.	Cut Out °F	Cut In °F	Differential °F	Thermostat Terminals	Heater Terminals	Total Terminals
LD14520W	145	125	20	3 X 1/4"	2 X 3/16"	5
LD15025W	150	125	25	3 X 1/4"	2 X 3/16"	5
LD15510W	155	145	10	3 X 1/4"	2 X 3/16"	5
LD15525W	155	130	25	3 X 1/4"	2 X 3/16"	5

Use 60T Electrical Ratings

Universal Thermostats



General Purpose L & LD Series

- Open on rise
- Close when temperature differential is reached
- 1/4" quick disconnect terminals
- Use 60T Electrical Ratings

Applications

- Most home laundry dryers
- Fan and Limit Applications

THERMODISC



UL RECOGNIZED

“L” Series, Single Pole - Single Throw

Supco No.	°Diff.	Open (°F)	Close (°F)
L120	10	120	110
L125	10	125	115
L130	15	130	115
L135	15	135	120
L140	20	140	120
L145	20	145	125
L150	20	150	130
L155	20	155	135
L160	20	160	140
L165	20	165	145
L170	20	170	150
L175	20	175	155
L180-20	20	180	160
L180-40	40	180	140
L190	40	190	150
L200	40	200	160
L205	40	205	165
L225	40	225	185
L240	40	240	200
L250	40	250	210
L260	40	260	220
L270	40	270	230
L290	40	290	250
L300	40	300	260
L320	40	320	280
L340	40	340	300

Typical Electrical Ratings

36T Electrical Ratings

VAC	Resistive (Non-Inductive)	Motor Rating (Inductive)		Pilot Duty
		Full Load	Locked Rotor	
120	15A	3A	12A	125 VA
240	10A	1.5A	6A	125 VA

350°F Max Ambient Temperature

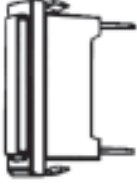
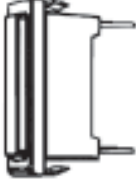
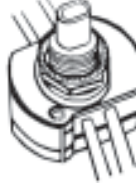
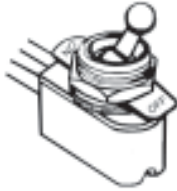










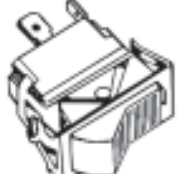

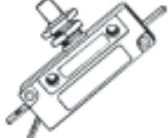



60T Electrical Ratings

VAC	Resistive (Non-Inductive)	Motor Rating (Inductive)		Pilot Duty
		Full Load	Locked Rotor	
120	25.0A	14.0A	72.0A	125 VA
240	25.0A	10.0A	60.0A	125 VA



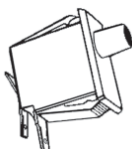


350°F Max Ambient Temperature

Supco No.	Cut Out °F	Cut In °F	Differential °F
LD120	120	105	15
LD130	130	115	15
LD135	135	120	15
LD140	140	120	20
LD145	145	125	20
LD155	155	135	20
LD170	170	150	20
LD190	190	170	20
LD200	200	160	40
LD210	210	170	40
LD225	225	185	40
LD240	240	200	40
LD270	270	230	40
LD290	290	250	40
LD305	305	265	40

Appliance Switches



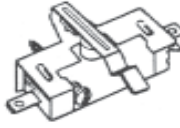



ES15502 Pilot Light Rectangular Red Lens Replaces: 15502, 155-2 Watts 1/3 Volts 250 Mount Snap in 	ES15601 Pilot Light Rectangular Amber Lens Replaces: 15601, 156-1 Watts 1/3 Volts 125 Mount Snap in 	ES15801 Flourescent Light Switch Metal Push Button Replaces: 15801, 158-1 Watts 40 Volts 125 Mount Pal-nut 	ES15803 Toggle Switch Panel style toggle On- Off Replaces: 15803, 158-3 Amps 3 amps Volts 125 / 250 Mount Pal-nut 	ES15805 Appliance Switch White Rectangular Replaces: 15805, 158-1 Amps 20 / 10 amps Volts 125 / 250 Mount Snap in 
ES15806 Toggle Switch Panel style toggle On- Off heavy duty Replaces: 15806, 158-6 Amps 20 / 10 amps Volts 125/250 Mount Pal-nut 	ES15807 Toggle Switch Panel style toggle On - On 3 terminal Replaces: 15807, 158-7 Amps 20 / 10 amps Volts 125/250 Mount Pal-nut 	ES15810 Toggle Switch Panel style toggle On -Off - On 3 terminal Replaces: 15810, 158-10 Amps 15 amps Volts 125/250 Mount Pal-nut 	ES15811 Toggle Switch SPDT Heavy Duty Switch, typically used on GE Dishwashers, and others. Replaces: 15811, 158-11 Amps 15 amps Volts 125/250 Mount Pal-nut 	ES15813 Toggle Switch Panel style toggle On - Off - On 6 terminal Replaces: 15813, 158-13 Amps 15 amps Volts 125/250 Mount Pal-nut 
ES15901 Panel Rocker Switch Panel style Rectangular Black, Fan / On - Off Replaces: 15901, 159-1 Amps 7.5 / 10 amps Volts 125 / 250 Mount Snap in 	ES15902 Panel Rocker Switch Panel style Rectangular Black, Light / On - Off Replaces: 15902, 159-2 Amps 7.5 / 10 amps Volts 125 / 250 Mount Snap in 	ES15903 Panel Rocker Switch Panel style Rectangular Black, On - Off Replaces: 15903, 159-3 Amps 7.5 / 10 amps Volts 125 / 250 Mount Snap in 	ES15905 Panel Rocker Switch Rectangular Black, On - Off - On 3 terminal Replaces: 15905, 159-5 Amps 7.5 / 10 amps Volts 125 / 250 Mount Snap in 	ES15907 Panel Rocker Switch Rectangular White, On - On 3 terminal Replaces: 15907, 159-7 Amps 15 amps Volts 125 / 250 Mount Snap in 
ES16100 Appliance Switch SPST - Normally Open .250 Pushon Replaces: 16100, 161, 793085 WD21X557, 3135-0006 Amps 15 amps Volts 125 / 250 Mount Snap in 	ES16200 Appliance Switch SPDT - .250 Pushon Threaded or Bolt Replaces: 16200, 162 Amps 15 amps Volts 125 / 250 Mount Snap in 	ES16300 Appliance Switch SPDT - .250 Pushon Lever included Replaces: 16300, 163 Amps 15 amps Volts 125 / 250 Mount Snap in 	ES16301 Appliance Switch SPDT - .250 Pushon Lever included Replaces: 16301, 163-1 Amps 15 amps Volts 125 / 250 Mount Snap in 	ES16400 Appliance Switch DPDT - .250 Pushon Lever included Replaces: 16400, 164 Amps 15 amps Volts 125 / 250 Mount Snap in 

Appliance Switches

ES16600 Appliance Switch	ES16802 Appliance Switch	ES16806 Appliance Switch	ES16807 Appliance Switch	ES16814 Appliance Switch
SPDT - .250 Pushon Longer Stem Switch	Icemaker, Microwave, Vending 3/16" Terminals.	Dryer Door Switch Fits both Older and Newer models	SPST Heavy Duty Switch, typically used on S.Q., Maytag, & Commercial	Acts like lever or roller Vending, Microwave, 3/16" Terminals.
Replaces: 16600, 166, 30391	Replaces: 16802, 168-2	Replaces: 16806, 168-6, 304575, 304576	Replaces: 16807, 168-7, 0616353236, 305754	Replaces: 16814, 168-14, 625851, 627512
Amps 15 amps	Amps 15 amps	Amps 10 / 5 amps	Amps 25 amps	Amps 15 amps
Volts 125 / 250	Volts 125 / 250	Volts 125 / 250	Volts 125 / 250	Volts 125 / 250
Mount Bolt	Mount Bolt	Mount Snap in	Mount Bolt	Mount Snap in
				

Part numbers and illustrations are intended solely for identification, Items offered for sale are not represented to be manufactured by the company that built the original equipment manufacturer, actual product may vary from illustration.

Specialty Switches

Maytag 22001682 ES682	Whirlpool 279173 LP173
 New Style Lid Switch Assembly Complete with both switches and 4 amp fuse. See 204515 & 207166 for individual switches	 Universal Push - to - Start Switch Kit Break off shaft to replace 15 part numbers. Replaces 60 different part numbers if old bracket is used.
Whirlpool 279347 LP210	Whirlpool 285671 ES671
 Lid Switch Assembly Order LP985 (691581) for lever only Order ES16803 for switch only.	 Lid Switch Assembly 3 Flat Terminals, 27" wire with 14" plastic sleeve Plastic sleeving can be trimmed to length.
Whirlpool 3949247 ES247	Whirlpool 8318084 ES8084
 Lid Switch Assembly 3 Round Terminals, 24" wire with 14" plastic sleeve Plastic sleeving can be trimmed to length.	 Lid Switch Assembly 3 Flat Terminals, Harness plugs on to switch Used on newer models.

Part numbers and illustrations are intended solely for identification, Items offered for sale are not represented to be manufactured by the company that built the original equipment, actual product may vary from illustration.