

GENERAL PRECAUTIONARY INFORMATION

THIS CONTROL MUST BE INSTALLED BY A QUALIFIED INSTALLER

All wiring must conform to local and national electrical codes and ordinances.

⚠ WARNING

Do not use on circuits exceeding specified voltage. Higher voltages will damage control and could cause shock or fire hazard.

NOTE

If power disconnect switch is not in sight, lock it in the OFF position and tag it to prevent unexpected application of power.

⚠ CAUTION

To prevent electrical shock and/or equipment damage, disconnect electric power to system at main fuse or circuit breaker box installation is complete.

Label all wires prior to disconnection when servicing controls. Wiring errors can cause improper and dangerous operation.

Following installation or replacement, follow appliance manufactures' recommended installation/service instructions to insure proper operation.

DESCRIPTION

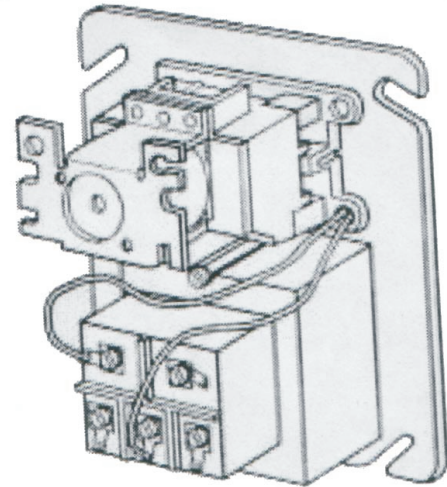
The fan control center provides low voltage control of line voltage circuits and can be used to control two-speed blower motors and auxiliary circuits in heating or cooling equipment.

FEATURES:

Class II (40V.A.) inherently energy limiting transformer
Nonresettable, nonreplaceable overcurrent protection
For general use in Class II, heating or cooling applications.

Low voltage terminal board with standard terminal designation for each wiring

16 gauge lead wires with quick-connect plug-in terminals provide wiring flexibility
Mounts on standard 4 x 4 junction box.



INSTALLATION

Turn off electrical power to heating and cooling systems. Record the positions and color codes of the leads on the existing relay. Also record all external wiring connections (line and low voltage).

Use the color-coded terminal leads installed on the new fan control center to duplicate the wiring of the existing control. Make sure all connecting points are the same for both relays.

NOTE

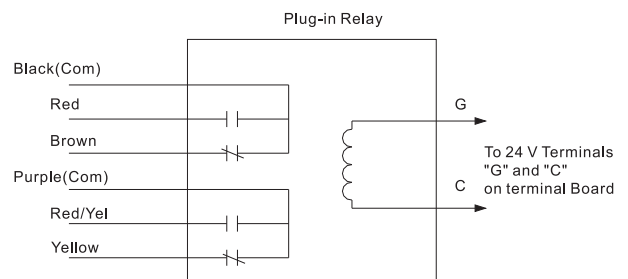
Lead wires connecting the low voltage relay coil to terminals "C" and "C" on the low voltage terminal panel are factory installed to prevent accidental connection to the line voltage circuit. When marking line-voltage connections, be sure no connections are made to low-voltage control circuit.

Make all line voltage connections following the information recorded previously.

Mount the fan control center on the junction box.

Connect low voltage wiring to terminal board on fan control center following hookups recorded previously.

Energize system and check for proper operation.



Note: Record the leadwire color with its corresponding terminal number for future reference



SEALED UNIT PARTS CO., INC.

PO BOX 21, 2230 LANDMARK PLACE • ALLENWOOD, NJ 08720 USA

Phone: 732-223-6644 • Fax: 732-223-1617 • www.supco.com • info@supco.com