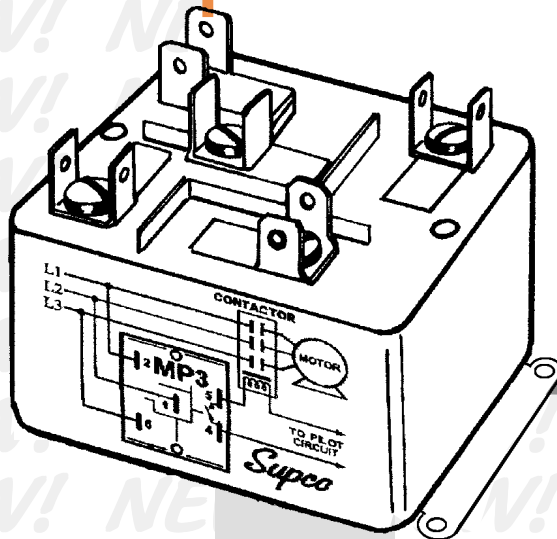


MP3 Three Phase Motor Protector



- Protects the motor and prevents burn-out
- Disconnects the motor immediately on loss of one or more supply lines to motor.
- Allows the motor to start only when all 3 phases are activated.
- Connection to the pilot circuit of the motor.
- Switching Capacity:
N.O.Contact
15 amps @ 250VAC

EASY TO INSTALL
COMPACT • LOW COST

PRICING

LIST	1	24	96
\$19.95	\$14.95	\$14.35	\$13.95

TECHNICAL DATA

OPERATING VOLTAGE 3 PHASE	208-230VAC
TOTAL POWER CONSUMPTION	1.5 VA MAX
TERMINALS	1/4" MALE SPADE
INSTALLATION	NON POSITIONAL - SCREW MOUNT
ENCLOSURE	FIRE RESISTANT PLASTIC
SIZE	2"5/32 x 2" x 23/32
WEIGHT	5 Oz.