



# TA22

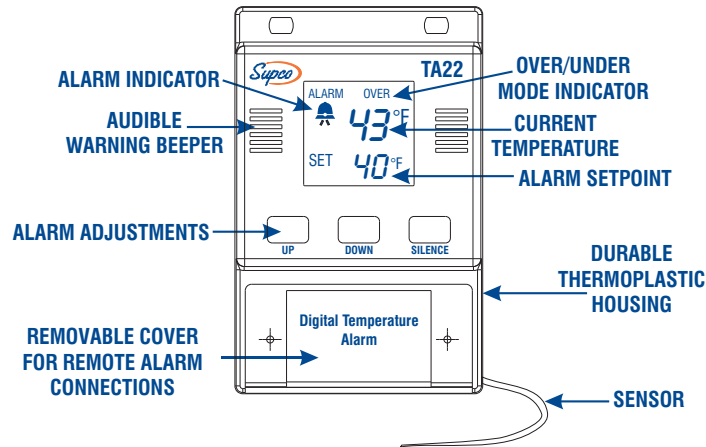


## Single Set Point Temperature Alarm W/Digital Display

Designed specifically for...

- REFRIGERATORS • FREEZERS • ENVIRONMENTAL CHAMBERS

...or any area where temperature change is critical.



The TA22 Temperature Alarm is a single point or threshold type of temperature alarm. This type of temperature alarm monitors the temperature at the sensor probe tip and when this temperature passes above (or below) the set point, the unit will execute a preset operation.

### DISPLAY

The unit's display shows the current temperature, the alarm set point temperature, the alarm state, and the mode of operation of the unit (over temperature or under temperature alarm).

### When the probe temperature reaches the set point, the unit will display its state as follows:

In delayed alarm state the **ALARM** icon and the Bell will flash.

In the alarm state the **ALARM** icon and the Bell will remain solid. The Bell clapper will flash.

Audible alarm will sound and the N.O. relay contacts will close.

If the Silence button is pressed during alarm condition, the audible alarm will turn off and the N.O. relay contacts will open.

NOTE: This unit also has a concealed slide switch that allows for the alarm to be activated immediately when the temperature has met the alarm threshold, if desired.

### SPECIFICATIONS

Power	12 V Adapter 120 VAC with 6 ft. cable included (220V available)
Probe	Precision Thermistor with 6 ft. cable (20540)
Alarm Adjustment Range	-40°F to 160°F (-40° to 71°C)
Temperature Accuracy	+/- 2°F (+/- 1°C)
Temperature Units	°F or °C, User Selectable
Remote Connections	Screw type, 120VAC, 5 Amps.
Unit Operating Temperature Range	-10°F to +130°F (-23°C to +54°C)
Mounting	Flat Surface, external holes provided
Dimensions	4.9" x 3.1" x 1.5" (12.4cm x 7.9cm x 3.8cm)
Case	Hi Impact Thermoplastic

### ACCESSORIES

SW25	25' Extension Wire
SW50	50' Extension Wire
SW75	75' Extension Wire
SW100	100' Extension Wire
ADTA	Phone Dialer



SEALED UNIT PARTS CO., INC.  
PO Box 21, 2230 Landmark Place, Allenwood, NJ 08720 USA  
Phone: 732-223-6644 • Fax: 732-223-1617  
www.supco.com • info@supco.com

Rev 020609  
P/N21037



# TA22

## Digital Temperature Alarm with Display

°F or °C Selectable  
120 VOLT OPERATION... NO BATTERIES REQUIRED



SEALED UNIT PARTS CO., INC.  
PO BOX 21, 2230 LANDMARK PLACE  
ALLENWOOD, NJ 08720 USA  
Phone: 732-223-6644 • Fax: 732-223-1617  
www.supco.com • info@supco.com



### INSTALLATION

The TA22 may be mounted to any flat surface, in any position, using the two holes provided at the top of the case or with the supplied adhesive pads. Avoid mounting in areas of excessive humidity or temperatures outside the operating range of the TA22.

### SENSOR EXTENSION

The TA22 sensor probe is designed to measure air temperature and may be mounted in any Convenient location in the area to be monitored. The sensor probe may be extended up to 200 feet with any 24AWG stranded wire.

### RELAY CONTACTS

The TA22 may be connected to a remote alarm using the relay contacts provided under the Switch Cover. Connections are provided for Normally Open or Normally Closed Dry Contacts. Dry Contacts mean that no electrical power is supplied to the contacts and power for a remote alarm or other device must be supplied externally. When an alarm occurs the N.O. relay contacts will close and remain closed as long as the alarm condition exists. The relay contacts will open if the user hits the Silence Alarm button.

### OPERATION

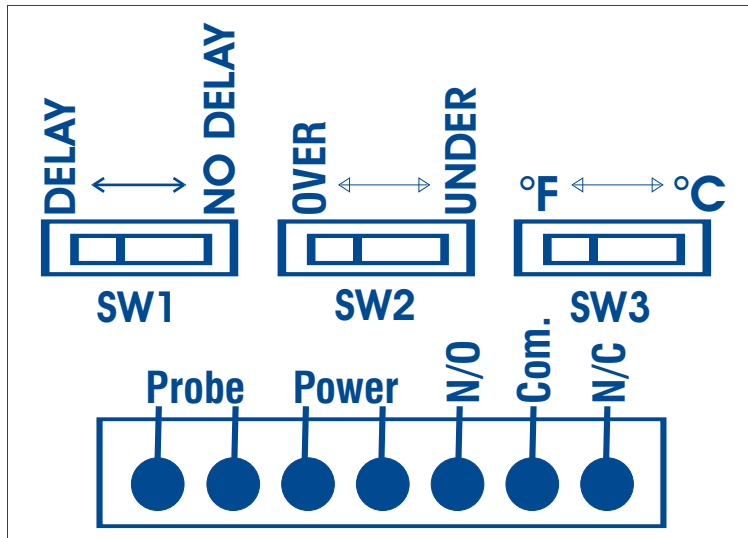
Plug the TA22 into a 120VAC (220V available) outlet and verify that the display shows the current temperature and the Alarm set point. If the display is not on, the TA22 is not receiving power and is not operating. For continued protection, this requires immediate attention.

Set the temperature alarm threshold to the temperature the TA22 must respond to, using the Up and Down buttons. Typical values will be between 35 to 45 degrees for a refrigerator and 0 to 15 degrees for a freezer. The setting of this adjustment will depend on the type of protection the TA22 is being used for and it is up to the judgment of the user to select an appropriate alarm temperature.

The TA22 is set at the factory to alarm on a RISE above the set temperature, after a one-hour delay. The OVER/UNDER Switch is in the OVER position and the DELAY/NO DELAY switch is set to the DELAY position.

To change the operation of the TA22, remove the switch cover. SW1 controls the DELAY/NO DELAY operation. Setting this switch to NO DELAY will activate the audible alarm and the N.O. relay switch as soon as the probe temperature reaches the set point temperature. SW2 controls the OVER/UNDER operation of the unit. Setting this switch to OVER will cause the alarm to be activated when the sensor temperature rises ABOVE the temperature setpoint. Setting this switch to UNDER will cause the alarm to activate when the sensor temperature falls BELOW the temperature set point. SW3 controls the temperature units displayed (°F or °C).

Terminal Board



Locate SW1, the switch on the left hand side. Note the lettering above this switch (DELAY – NO DELAY). Setting this switch to DELAY will cause the TA22 to blink the ALARM and BELL ICONS when the Sensor temperature passes the threshold set by the Front Panel Adjustment. When approximately one hour has passed and the Sensor temperature has remained past the threshold set by the Front Panel Adjustment, the TA22 will sound the audible alarm and close the N.O. relay contacts. Should the temperature return to its normal value before this period has elapsed, the one-hour delay will be reset. Setting this switch to NO DELAY will cause the TA22 to sound an immediate alarm and display the ALARM and BELL ICONS (Solid) when the temperature passes the threshold set by the Front Panel Adjustment. Should the temperature return to its normal value, the TA22 will automatically reset.

Locate the terminal strip below the switches. This is where sensor probe, power supply and remote alarm are connected to the TA22. The TA22 comes from the factory with the power supply and sensor probe attached. Note the 3 unused terminals on the right. These are the relay contacts for use with external devices, such as remote alarms or automatic dialers. Since each installation has different requirements, it is suggested you consult the instructions supplied with any remote device prior to making any connections to the TA22. Note the 5 Amp 120VAC rating of the relay contacts. PERMANENT DAMAGE will result if these limits are exceeded.

### TA22 WARRANTY

LIMITED TO ONE YEAR FROM DATE OF PURCHASE

Sealed Unit Parts Co., Inc. warrants its products to be free from defects in materials and workmanship under normal use and service. Sealed Unit Parts Co., Inc. will repair or replace without charge any such products it finds to be so defective on its return to Sealed Unit Parts Co., Inc. The foregoing is in lieu of all other expressed or implied warranties, including those of merchantability or fitness for a particular purpose. The foregoing is also the purchaser's sole remedy and is in lieu of all other guarantees, obligations or liabilities or any consequential or incidental damages attributable to negligence or strict liability.

### TYPICAL CONNECTIONS ARE SHOWN IN THE DRAWING

