



# SMC11 2 POLE MAGNETIC LINE CONTACTOR

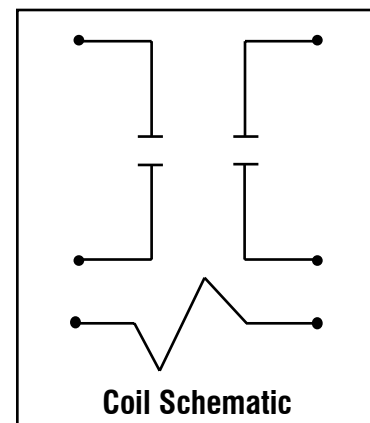
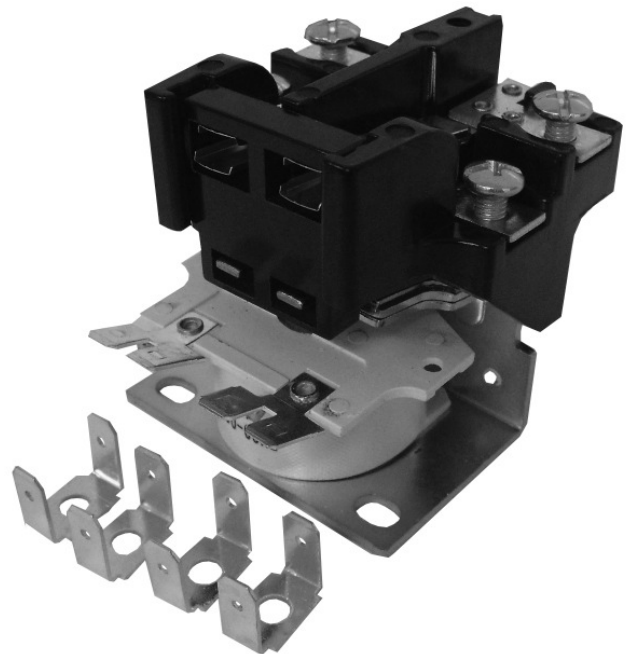
Designed to replace 2 pole, 30 amp contactors used in air handlers for air conditioning and electric heat applications to control the blower motors.  
Also used in packaged terminal air conditioners, pumps and other applications.

## Features:

- Non-positional
- Replaces MARS® 18001 (exact) and Honeywell® R850B1146, Packard® C18001
- Includes 4 terminals and 4 screws
- UL File Number E328772

## Specifications:

Contacts	DPST
Coil Voltage	24 VAC
Full Load Amps	30 Amps
Locked Rotor Amps	120 Amps
Resistive Load Amps	30 Amps
Frequency	50/60 Hz



### SEALED UNIT PARTS CO., INC.

PO Box 21, 2230 Landmark Place, Allenwood, NJ 08720 USA  
Phone: 732-223-6644 • Fax 732-223-1617 • [www.supco.com](http://www.supco.com) • [info@supco.com](mailto:info@supco.com)

F432-04162010