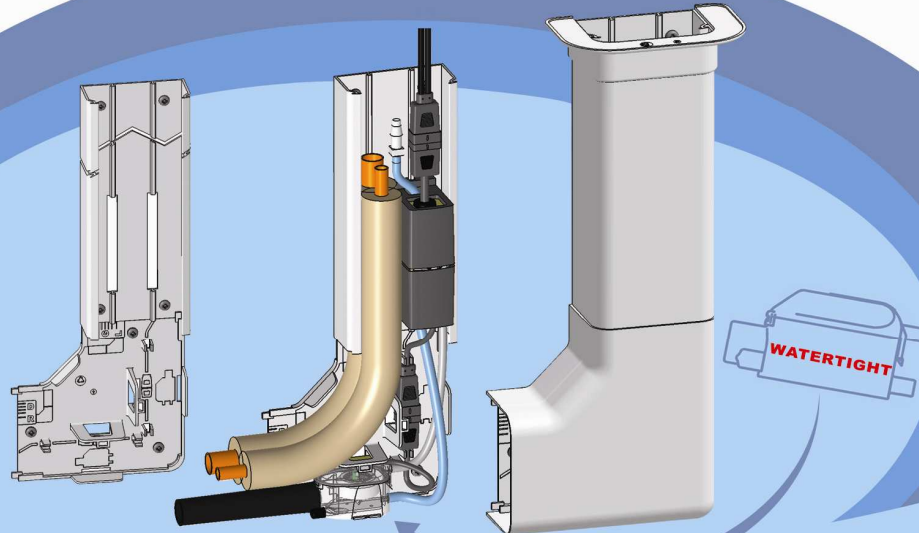


FLOWATCH® DESIGN

new

IP64

<21dBA*



FLOWATCH® DESIGN is a mini condensate pump housed within a duct, offering an easy-to-install method of removing condensate from air conditioner up to 10 kW.

Kit includes:

- Our mini FLOWATCH® 2 pump
- 80mm x 800mm duct
- Fixing plate (reversible right & left)
- Complete fixing accessories
- A step by step installation manual

Ready to install

Easy and quick to install, FLOWATCH® DESIGN is delivered assembled (but not connected). A reversible plate for an installation either on the right hand side, either on left hand side.



Benefits

- Attractive design - smooth clean white duct
- Spacious - Ample room for 3/8" & 5/8" pipes
- Reliable
- Quiet - <21 dBA*
- Quick - push fit electrical connections (IP64)

MKG DOC 31 MFWG GB ind A

Average level pressure at 1 meter calculated on acoustic power level LwAd : 32,80 dBA (réf 1 Pw)

**NF EN ISO 3744 et 4871 (lpA en dB/réf 20µPa)

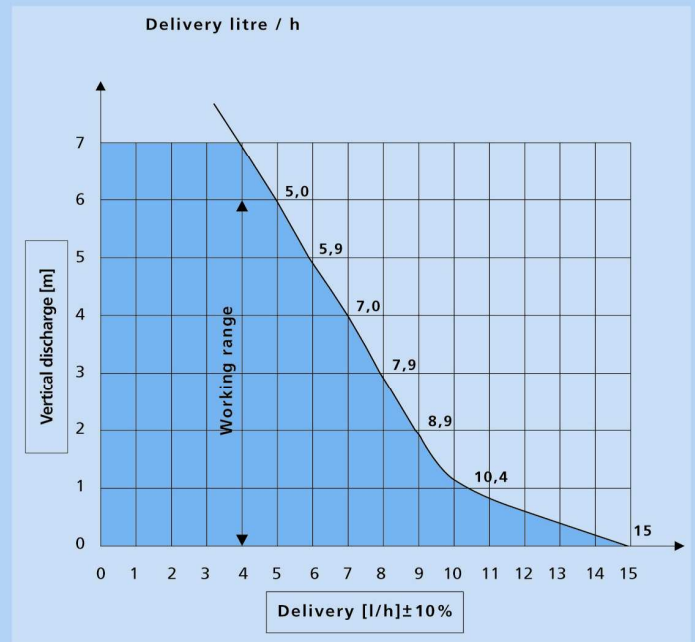
ALL THE BENEFITS OF THE MINI FLOWATCH® 2

The mini FLOWATCH® 2, is compact and fit all small and medium air conditioning systems.

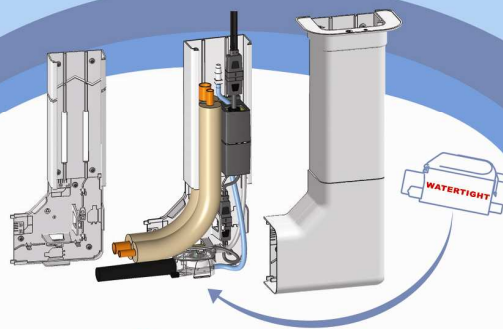
Quiet (< 21dBA*), it offers a reliable efficiency of removing condensate from mini-split air conditioners up to 10kW.

With its push fit electrical connections the mini FLOWATCH® 2 is waterproofness and dustproofness (IP64) and easy to maintain.

The mini FLOWATCH® 2 has an alarm (Alarm switch 5Amp) and a thermal protection.



CHARACTERISTICS	ADVANTAGES
Low noise level (< 21 dBA*) certified by LNE an independent laboratory	Mini FLOWATCH® meets most silent installations requirements
Thermal protection	Pump unit is protected against overheating
Minimum number of mobile parts	Accurate reliability, reduced maintenance
Alarm level	Allows stopping the air conditioner in order to avoid overflow
Industrial connectors reliable	Electrical connectors
Complete pack	All necessary accessories are in the box! No additional costs
IP 64	Waterproofness and dustproofness. Easy connect and disconnect with specials connectors
Small dimensions Pump unit : 85 x 28 x 48 mm Level sensor unit : 78 x 38 x 37 mm	Easy to set up in most compact air conditioning units
Main supply	230 VAC 50/60 Hz 19 W. Possibility of relay mounting for bigger Amp needs



SICCOM

2 rue Gustave Madiot, 91922 Bondoufle Cedex – France
 Tél.: 33(0) 1 60 86 81 48 Fax : 33 (0) 1 60 86 87 57
 Email : commercial@siccom.fr
www.siccom.com

